

**YOUR VISION  
OUR MACHINES**



## PLANNER & THICKNESSER

Elite 41CM

AMUZMA®



### Versatile, Powerful, Precise

The Planer and Thicknesser 16 Elite 41CM handles large timber with ease (410mm width, 255mm height). Switch between surfacing and thicknessing effortlessly with a single-handed table lift. The extra-large aluminium fence ensures stability, and quick, accurate adjustments are made with cantered controls and cam-locking mechanisms."

## SPECIFICATIONS

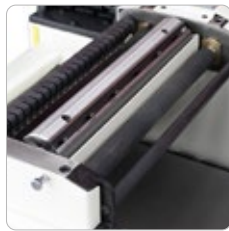
Feed Speed	7m/min	Cutting Motor Output	
Cutter block Speed	5500rpm	<input checked="" type="checkbox"/> 3*400V	4kW S6
Cutter block Diameter	70mm	<input type="checkbox"/> 1*230V	3kW S6
Max Thicknesser Height	4-225mm	Net/Gross Weight	
Max Thicknesser Width	410mm	294/352kgs	
Min Length of Workpiece	160mm	Package Size	
Max Depth of Cut	4mm	1710x740x1117mm	
Depth Indicator		Dimensions	
<input checked="" type="checkbox"/> Scale		H	1002mm
<input type="checkbox"/> Digital Readout		L	1659mm
Cutterhead		W	1350mm
<input checked="" type="checkbox"/> Straight Knives	3pcs/410x30x3mm		
<input type="checkbox"/> 2 Slot Spiral	44pcs/15x15x2.5mm		
Over Length of Planer Tables	1669mm		
Thickness Table Size	650-407mm		
Exactor Port Dia	120mm		

Standard Equipment     Optional Equipment

## ACCESSORIES



Manual Handwheel with Readout



Helical Cutterhead Assembly

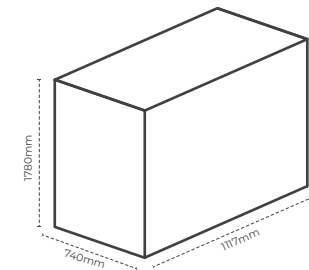
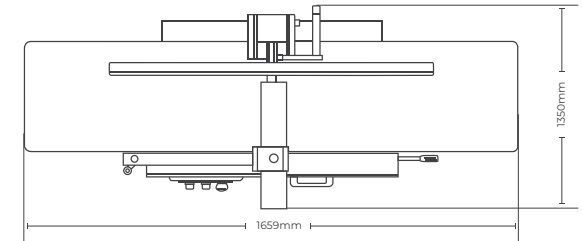
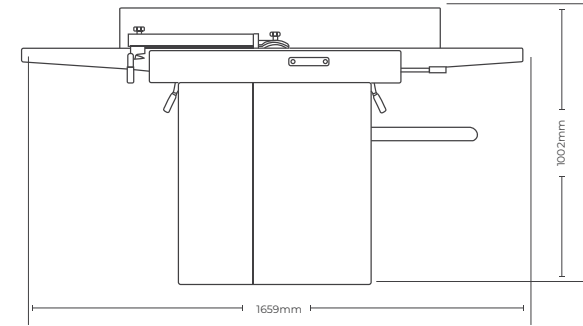


Thicknessing Table Extension



Adjustment Lever

## DIMENSIONS




### Contact Us

 +971 45478088

 +971 50 857 6840

 [info@amuzmamachinery.com](mailto:info@amuzmamachinery.com)

 [www.amuzmamachinery.com](http://www.amuzmamachinery.com)

 Ras Al Khor, Industrial Area 2,  
United Arab Emirates



Website



Contact Us