



**YOUR VISION
OUR MACHINES**



CNC Router

Forte 15CR

AMUZMA®



High-Precision CNC Router

A powerful and precise CNC router designed for professional woodworking and fabrication. The 15CR Amuzma offers a sturdy frame, smooth motion control, and reliable performance for cutting, engraving, and shaping materials like wood, acrylic, plastic, and soft metals perfect for makers, designers, and small workshops.

CONFIGURATION

TECHNICAL FEATURES

FORTE 15CR

Working Table	Aluminum profile table+T slots
Working Area	1500*3000*200
Control System	Richauto DSP All control system
Spindle Motor	HQD 6.0kw air-cooling spindle
Inverter	Delta 7.5kw inverter
Drive System	Delta 750W servo motor and driver
Speed Reducer	China oubang reducer
Guide Rails	Taiwan HIWIN 25/25/25mm square rails
Transmission	PCRCH 1.5M Helical rack
Z-Axis Transmission	Taiwan 2505 TBI ball screw on Z axis
Lubrication System	Auto lubrication
Control Cabinet	Independent control cabinet D06
Safety Sensors	Autonics Limit switch
Electrical Components	Schneider electrical components

ACCESSORIES



Aluminum Profile Working Table



Air-Cooling Spindle

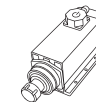
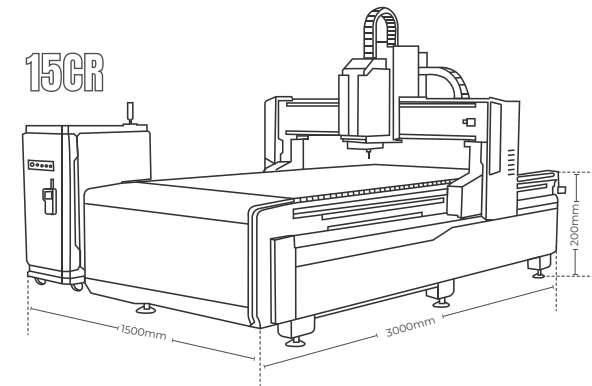


Independent Control Cabinet with DSP Handheld Controller

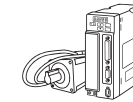


Gantry Side Support and Precision Linear Rails

DIMENSIONS



HQD 6.0 KW Head Motor



Delta 750W servo motor and driver



Delta inverter 7.5kw



DCR-50 electric automatic lubrication oil pump, Auto lubrication


Contact Us

 +971 45478088

 +971 50 857 6840

 info@amuzmamachinery.com

 www.amuzmamachinery.com

 Ras Al Khor, Industrial Area 2,
United Arab Emirates



Website



Contact Us