



**YOUR VISION  
OUR MACHINES**



## CNC Router

### Forte 13CR

AMUZMA®



### High-Precision CNC Router

A powerful and precise CNC router designed for professional woodworking and fabrication. The 13CR/15CR Amuzma offers a sturdy frame, smooth motion control, and reliable performance for cutting, engraving, and shaping materials like wood, acrylic, plastic, and soft metals perfect for makers, designers, and small workshops.

## CONFIGURATION

### TECHNICAL FEATURES

### FORTE 13CR

Working Table	Aluminum profile table+T slots
Working Area	1300*2500*200
Control System	Richauto DSP All control system
Spindle Motor	HQD 6.0kw air-cooling spindle
Inverter	Delta 7.5kw inverter
Drive System	Delta 750W servo motor and driver
Speed Reducer	China oubang reducer
Guide Rails	Taiwan HIWIN 25/25/25mm square rails
Transmission	PCRCH 1.5M Helical rack
Z-Axis Transmission	Taiwan 2505 TBI ball screw on Z axis
Lubrication System	Auto lubrication
Control Cabinet	Independent control cabinet D06
Safety Sensors	Autonics Limit switch
Electrical Components	Schneider electrical components

## ACCESSORIES



Aluminum Profile Working Table



Air-Cooling Spindle

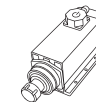
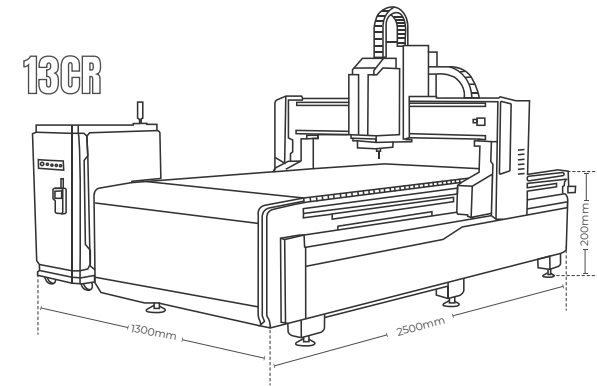


Independent Control Cabinet with DSP Handheld Controller

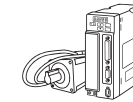


Gantry Side Support and Precision Linear Rails

## DIMENSIONS



HQD 6.0 KW Head Motor



Delta 750W servo motor and driver



Delta inverter 7.5kw



DCR-50 electric automatic lubrication oil pump, Auto lubrication


## Contact Us

 +971 45478088

 +971 50 857 6840

 [info@amuzmamachinery.com](mailto:info@amuzmamachinery.com)

 [www.amuzmamachinery.com](http://www.amuzmamachinery.com)

 Ras Al Khor, Industrial Area 2,  
United Arab Emirates



Website



Contact Us